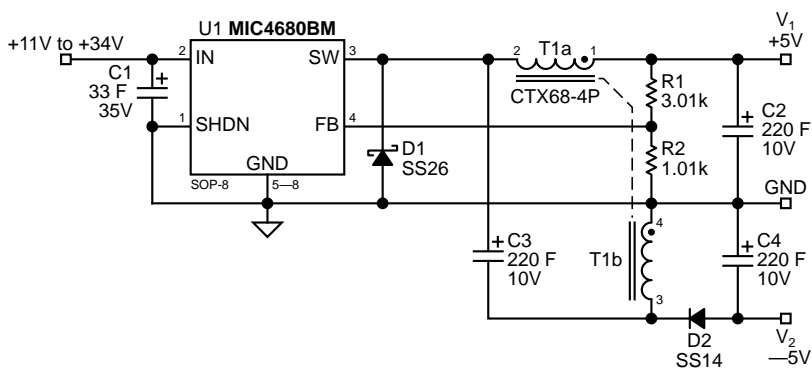


### Circuit Performance

- Simple solution for 2 outputs: ±5V
- Off-the-shelf magnetics
- 80% efficient at 12V input



Maximum Output Current

V <sub>IN</sub>	V <sub>1</sub>	I <sub>1</sub>	V <sub>2</sub>	I <sub>2</sub>
12V	+5V	0.3A	-5V	0.2A
12V	+5V	0.5A	-5V	0.35A
24V	+5V	0.3A	-5V	0.35A
24V	+5V	0.5A	-5V	0.5A

### Bill of Material

Reference	Part Number	Manufacturer	Description	Qty
C1	TPSE336M035R0300	AVX	33µF 35V, tantalum	1
C2, C3, C4	TPSE227010R0060	AVX	220µF 10V, tantalum	3
D1	B260A SS26	Vishay-Diode, Inc. (Note 1) General Semiconductor	2A 60V, Schottky diode	1
D2	B140 SS14	Vishay-Diode, Inc. (Note 1) GI	1A 40V, Schottky diode	1
R1	CRCW08053011FRT1	Vishay-Dale (Note 2)	3.01k	1
R2	CRCW08051011FRT1	Vishay-Dale (Note 2)	1.01k	1
T1	CTX68-4P	Coiltronics	transformer	1
U1	<b>MIC4680BM</b>	Micrel	1A 200kHz power-SO-8 buck regulator	1

Note 1: Vishay-Diode, Inc. (805) 446-4800

Note 2: Vishay-Dale (402) 371-0080

---

**MICREL INC. 1849 FORTUNE DRIVE SAN JOSE, CA 95131 USA**

TEL + 1 (408) 944-0800 FAX + 1 (408) 944-0970 WEB <http://www.micrel.com>

This information is believed to be accurate and reliable, however no responsibility is assumed by Micrel for its use nor for any infringement of patents or other rights of third parties resulting from its use. No license is granted by implication or otherwise under any patent or patent right of Micrel Inc.

© 2002 Micrel, Incorporated.