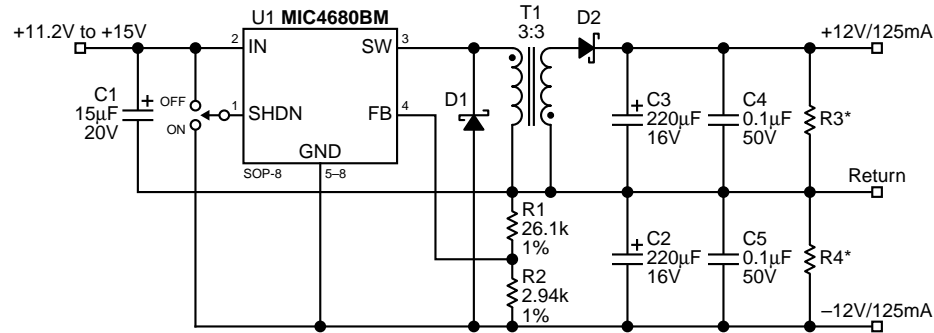


Circuit Performance

- Simple solution for dual output
- Off-the-shelf magnetics



* R4 and R5 are needed only in applications that will see no-load conditions to keep the no-load regulation to 5% maximum.

Bill of Material

Reference	Part Number	Manufacturer	Description	Qty
C1	TPSC156020R0450	AVX	15µF 20V, tantalum	1
C2, C3	TPSE227016R0100	AVX	220µF 16V, tantalum	2
C4, C5	AVX08055C103MAT2A	AVX	0.1µF 50V	2
D1, D2	B260A	Vishay-Diode, Inc. (Note 1)	2A 60V, Schottky diode	1
R1		Vishay-Dale (Note 2)	26.1k 1%	1
R2		Vishay-Dale (Note 2)	2.94k 1%	1
R3*		Vishay-Dale (Note 2)	1.1k 5%	optional
R4*		Vishay-Dale (Note 2)	620Ω 5%	optional
T1	VP1-0059	Coiltronics	Versa-Pac-series transformer primary 34.2µH, $I_{SAT} = 2.74A$, configured to 3:3	1
U1	MIC4680BM	Micrel Semiconductor	1A 200kHz power-SO-8 buck regulator	1

Note 1: Vishay-Diode, Inc. (805) 446-4800

Note 2: Vishay-Dale (402) 371-0080

MICREL INC. 1849 FORTUNE DRIVE SAN JOSE, CA 95131 USA

TEL + 1 (408) 944-0800 FAX + 1 (408) 944-0970 WEB <http://www.micrel.com>

This information is believed to be accurate and reliable, however no responsibility is assumed by Micrel for its use nor for any infringement of patents or other rights of third parties resulting from its use. No license is granted by implication or otherwise under any patent or patent right of Micrel Inc.

© 2000 Micrel Incorporated