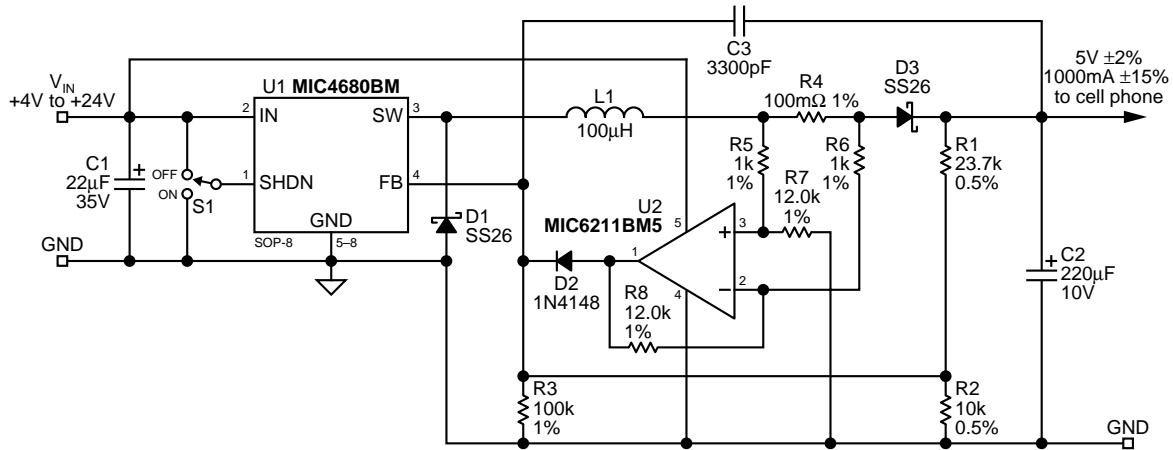


### Circuit Performance

- Low-cost
- Constant current  $\pm 15\%$  accuracy
- Constant voltage  $\pm 2\%$  accuracy



### Bill of Material

Reference	Part Number	Manufacturer	Description	Qty
C1	TPSD226M035R300	AVX	22µF 35V	1
C2	TPSD227M010R100	AVX	220µF 10V	1
C3	08055C332KAT1	AVX	3300pF	1
D1, D3	SS26 B260	Vishay-Diode, Inc. (Note 1)	2A 60V, Schottky diode	2
D2	1N4148			1
L1	UP3B-101	Coiltronics	100µH	1
R1	CRCW08052372FRT1	Vishay-Dale (Note 2)	23.7k 1/10W $\pm 0.5\%$ , size 0805	1
R2	CRCW08051002FRT1	Vishay-Dale (Note 2)	10k 1/10W $\pm 0.5\%$ , size 0805	1
R3	CRCW08051003FRT1	Vishay-Dale (Note 2)	100k 1/10W $\pm 1\%$ , size 0805	1
R4	WSL-2010-R100-F	Vishay-Dale (Note 2)	100mΩ 1/10W $\pm 1\%$ , size 0805	1
R5, R6	CRCW08051001FRT1	Vishay-Dale (Note 2)	1k 1/10W $\pm 1\%$ , size 0805	2
R7, R8	CRCW08051202FRT1	Vishay-Dale (Note 2)	12.0k 1/10W $\pm 1\%$ , size 0805	2
S1	G12AP	N.K.K.	switch	1
U1	<b>MIC4680BM</b>	Micrel Semiconductor	1A 200kHz power-SO-8 buck regulator	1
U2	<b>MIC6211BM5</b>	Micrel Semiconductor	IttyBitty™ operational amplifier	1

**Note 1:** Vishay-Diode, Inc. (805) 446-4800

**Note 2:** Vishay-Dale (402) 371-0080

---

**MICREL INC. 1849 FORTUNE DRIVE SAN JOSE, CA 95131 USA**

TEL + 1 (408) 944-0800 FAX + 1 (408) 944-0970 WEB <http://www.micrel.com>

This information is believed to be accurate and reliable, however no responsibility is assumed by Micrel for its use nor for any infringement of patents or other rights of third parties resulting from its use. No license is granted by implication or otherwise under any patent or patent right of Micrel Inc.

© 2000 Micrel Incorporated