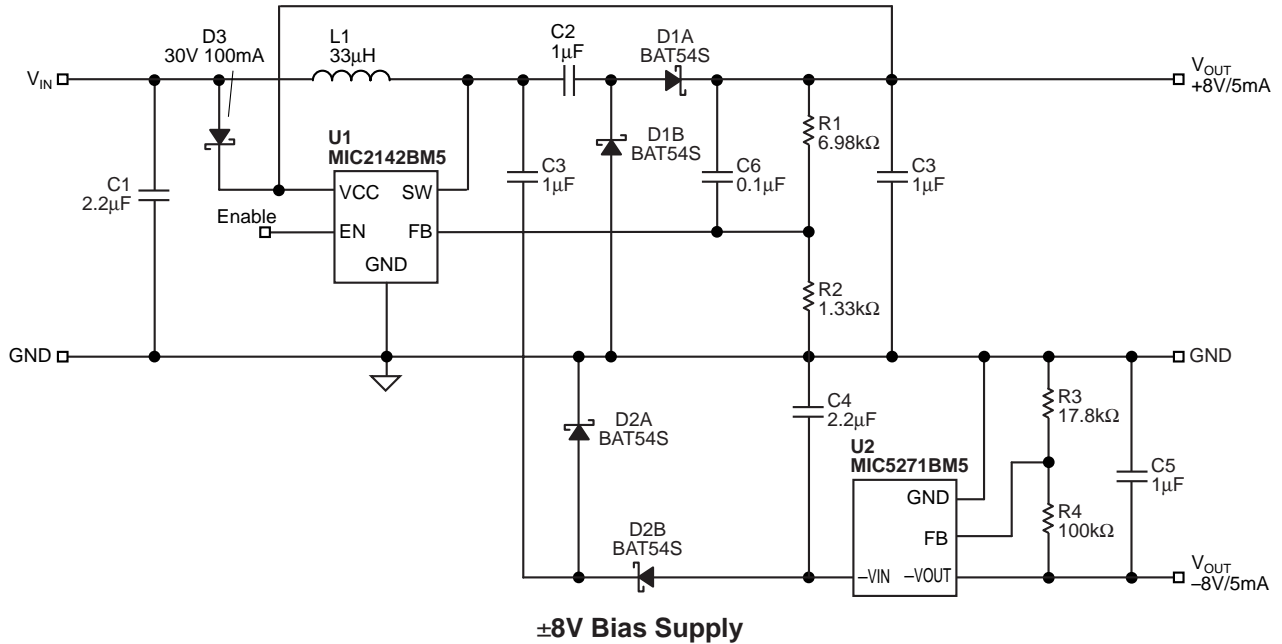


Circuit Performance

- Regulated dual output:
 - +8V from MIC2142 boost regulator
 - 8V from MIC5271 negative LDO regulator



Bill of Materials

Item	Part Number	Manufacturer	Description	Qty.
C1	JMK 212 F475ZD	Taiyo Yuden ⁽¹⁾	4.7μF Y5V 6.3V, Size 0805 Ceramic Capacitor	1
C2, C3, C5	LMK 212 BJ105MG	Taiyo Yuden ⁽¹⁾	1μF X7R 10V, Size 0805 Ceramic Capacitor	3
C4, C3	EMK 212 F225ZG	Taiyo Yuden ⁽¹⁾	2.2μF Y5V 16V, Size 0805 Ceramic Capacitor	2
C6	GRM40X7R104K50	Murata ⁽⁴⁾	0.1μF Ceramic Capacitor	1
D1, D2	BAT54S	Diodes, Inc. ⁽²⁾	Dual 30V 200mA Schottky Diode	1
D3	CMDSH-3	Central Semiconductor Corp. ⁽³⁾	30V 100mA Schottky Diode	1
L1	LQH3C100M34	Murata ⁽⁴⁾	10μH Inductor	1
R1	CRCW06036981FRT1	Vishay Dale ⁽⁵⁾	6.98kΩ Resistor	1
R2	CRCW06031331FRT1	Vishay Dale ⁽⁵⁾	1.33kΩ Resistor	1
R3	CRCW06031782FRT1	Vishay Dale ⁽⁵⁾	17.8kΩ Resistor	1
R4	CRCW06031003FRT1	Vishay Dale ⁽⁵⁾	100kΩ Resistor	1
U1	MIC2142BM5	Micrel, Inc. ⁽⁶⁾	Micro Power Boost Converter	1
U2	MIC5270BM5	Micrel, Inc. ⁽⁶⁾	Negative LDO	1

- Taiyo Yuden: www.taiyo-yuden.com
- Diodes, Inc.: www.diodes.com
- Central Semiconductor Corp.: www.centralsemi.com
- Murata: www.murata.com
- Vishay Dale: www.vishay.com
- Micrel, Inc.:** www.micrel.com

MICREL, INC. 1849 FORTUNE DRIVE SAN JOSE, CA 95131 USA

TEL + 1 (408) 944-0800 FAX + 1 (408) 944-0970 WEB <http://www.micrel.com>

The information furnished by Micrel in this datasheet is believed to be accurate and reliable. However, no responsibility is assumed by Micrel for its use. Micrel reserves the right to change circuitry and specifications at any time without notification to the customer.

Micrel Products are not designed or authorized for use as components in life support appliances, devices or systems where malfunction of a product can reasonably be expected to result in personal injury. Life support devices or systems are devices or systems that (a) are intended for surgical implant into the body or (b) support or sustain life, and whose failure to perform can be reasonably expected to result in a significant injury to the user. A Purchaser's use or sale of Micrel Products for use in life support appliances, devices or systems is at Purchaser's own risk and Purchaser agrees to fully indemnify Micrel for any damages resulting from such use or sale.

© 2003 Micrel, Incorporated.