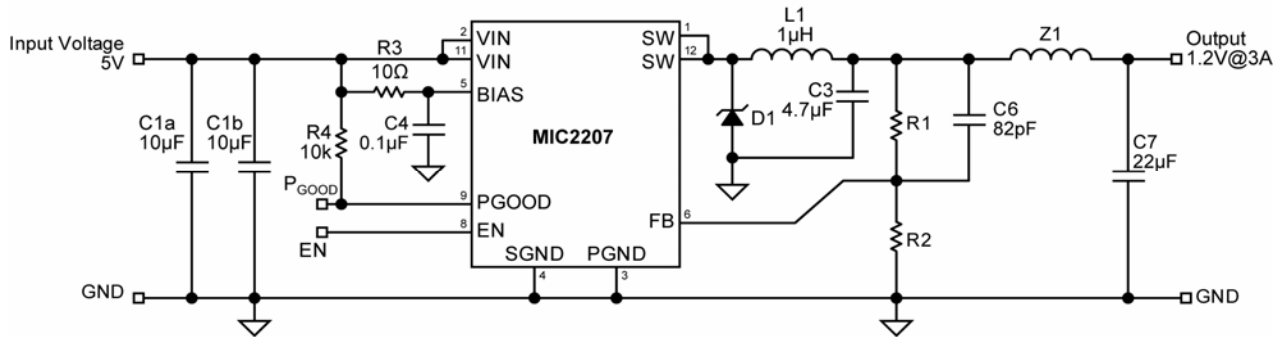




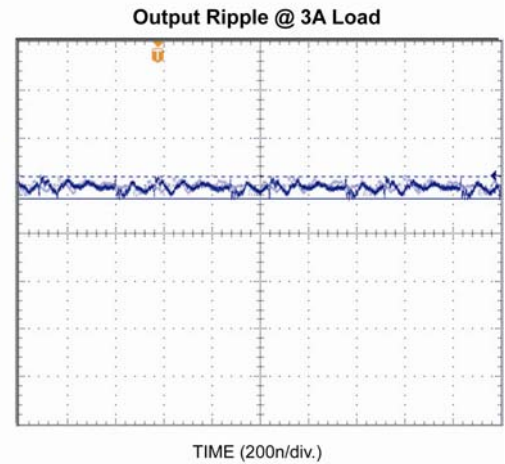
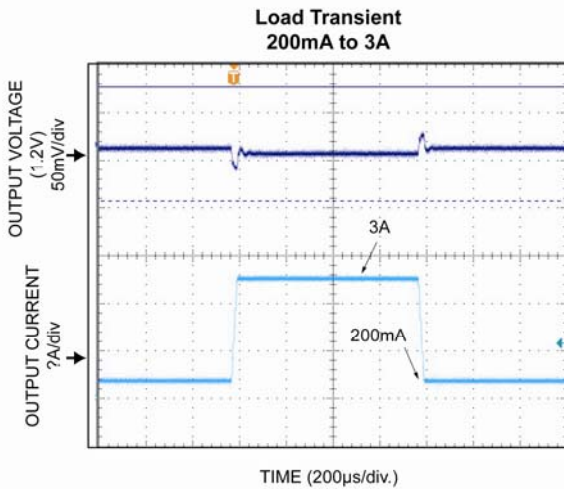
# Application Hint 62

## MIC2207 Xilinx Low Ripple

REV 5/06



MIC2207 Low Ripple Schematic



## Bill of Materials

Item	Part Number	Manufacturer	Description	Qty.
C1a, C1b	C2012JB0J106K	TDK	10uF Ceramic Capacitor X5R 0805 6.3V	2
	GRM219R60J106KE19	Murata	10uF Ceramic Capacitor X5R 0805 6.3V	
	08056D106MAT	AVX	10uF Ceramic Capacitor X5R 0805 6.3V	
C2,C5	0402ZD104MAT	AVX	0.1uF Ceramic Capacitor X5R 0402 10V	2
C3	C2012JB0J475K	TDK	4.7uF Ceramic Capacitor X5R 0603 6.3V	1
	GRM188R60J475KE19	Murata	4.7uF Ceramic Capacitor X5R 0603 6.3V	
	06036D475MAT	AVX	4.7uF Ceramic Capacitor X5R 0603 6.3V	
C6	VJ0402A820KXAA	Vishay VT	82pF Ceramic Capacitor 0402	1
C7	08056D106MAT	AVX	22uF Ceramic Capacitor X5R 0805 6.3V	1
D1	SSA33L	Vishay Semi	3A Schottky 30V SMA	1
L1	RLF7030-1R0N6R4	TDK	1uH Inductor 8.8mOhm 7.1mm(L) x 6.8mm (W)x 3.2mm(H)	1
	744 778 9001	Würth Elektronik	1uH Inductor 12mOhm 7.3mm(L)x7.3mm(W)x3.2mm(H)	
	IHLP2525AH-01 1	Vishay Dale	1uH Inductor 17.5mΩ (L)6.47mmx(W)6.86mmx(H) 1.8mm	
R1,R4	CRCW04021002F	Vishay Dale	1KΩ 1% 0402 resistor	2
R2	CRCW04024023F	Vishay Dale	40.2 kΩ 1% 0402 For 1.2 V <sub>OUT</sub>	1
R3	CRCW040210R0F	Vishay Dale	10Ω 1% 0402 resistor	1
Z1	BLMZ1P300S	Murata	Ferrite Bead	1
U1	<b>MIC2207BML</b>	<b>Micrel<sup>(1)</sup></b>	10uF Ceramic Capacitor X5R 0805 6.3V	1

### Notes:

1. Micrel Semiconductor Tel: 408-944-0800

**MICREL, INC. 2180 FORTUNE DRIVE SAN JOSE, CA 95131 USA**  
 TEL +1 (408) 944-0800 FAX +1 (408) 474-1000 WEB <http://www.micrel.com>

The information furnished by Micrel in this data sheet is believed to be accurate and reliable. However, no responsibility is assumed by Micrel for its use. Micrel reserves the right to change circuitry and specifications at any time without notification to the customer.

Micrel Products are not designed or authorized for use as components in life support appliances, devices or systems where malfunction of a product can reasonably be expected to result in personal injury. Life support devices or systems are devices or systems that (a) are intended for surgical implant into the body or (b) support or sustain life, and whose failure to perform can be reasonably expected to result in a significant injury to the user. A Purchaser's use or sale of Micrel Products for use in life support appliances, devices or systems is a Purchaser's own risk and Purchaser agrees to fully indemnify Micrel for any damages resulting from such use or sale.

© 2004 Micrel, Incorporated.

